

ALUR – konstrukce KN-22

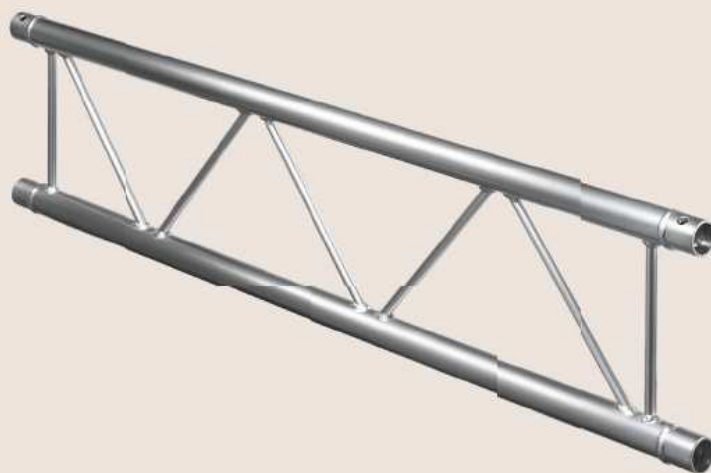
KN-22

Great for – exhibition stand applications, shop installations

- connection type > conical connector
- tubes > 35x1,5 mm
- braces > 10x2 mm
- material > AlMgSi0,5
- > EN-AW 6060 T5

Circles & special structures available

Powder coating to RAL reference 



2
point

2KN-22

figures are based on use in vertical position and stabilised every 1 m

Span in m	1,00	2,00	3,00	4,00	5,00	6,00	7,00	8,00	9,00
point load in kg	278	182	121	89	70	58	48	41	35
deflection in mm	0,0	2,0	4,0	7,0	10,0	15,0	20,0	27,0	34,0
two point load in kg	139	137	90	67	53	43	36	31	26
deflection in mm	0,0	2,0	5,0	8,0	13,0	19,0	25,0	33,0	42,0
distrib. loading in kg/m	278	138	80	45	28	19	14	10	8
total distrib. loading in kg	278	276	240	180	140	114	98	80	72
deflection in mm	0,0	2,0	5,0	8,0	13,0	18,0	25,0	33,0	41,0

3KN-22

figures are based on use in apex down orientation

Span in m	1,00	2,00	3,00	4,00	5,00	6,00	7,00	8,00	9,00
point load in kg	317	157	103	76	59	48	39	32	27
deflection in mm	0,0	1,0	3,0	6,0	9,0	13,0	18,0	23,0	30,0
two point load in kg	238	118	77	57	44	36	29	24	20
deflection in mm	0,0	2,0	4,0	7,0	11,0	16,0	22,0	29,0	36,0
distrib. loading in kg/m	317	157	99	38	24	16	11	8	6
total distrib. loading in kg	317	314	207	152	120	96	77	64	54
deflection in mm	0,0	2,0	4,0	7,0	11,0	16,0	21,0	28,0	35,0

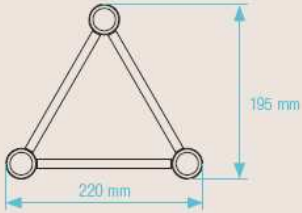
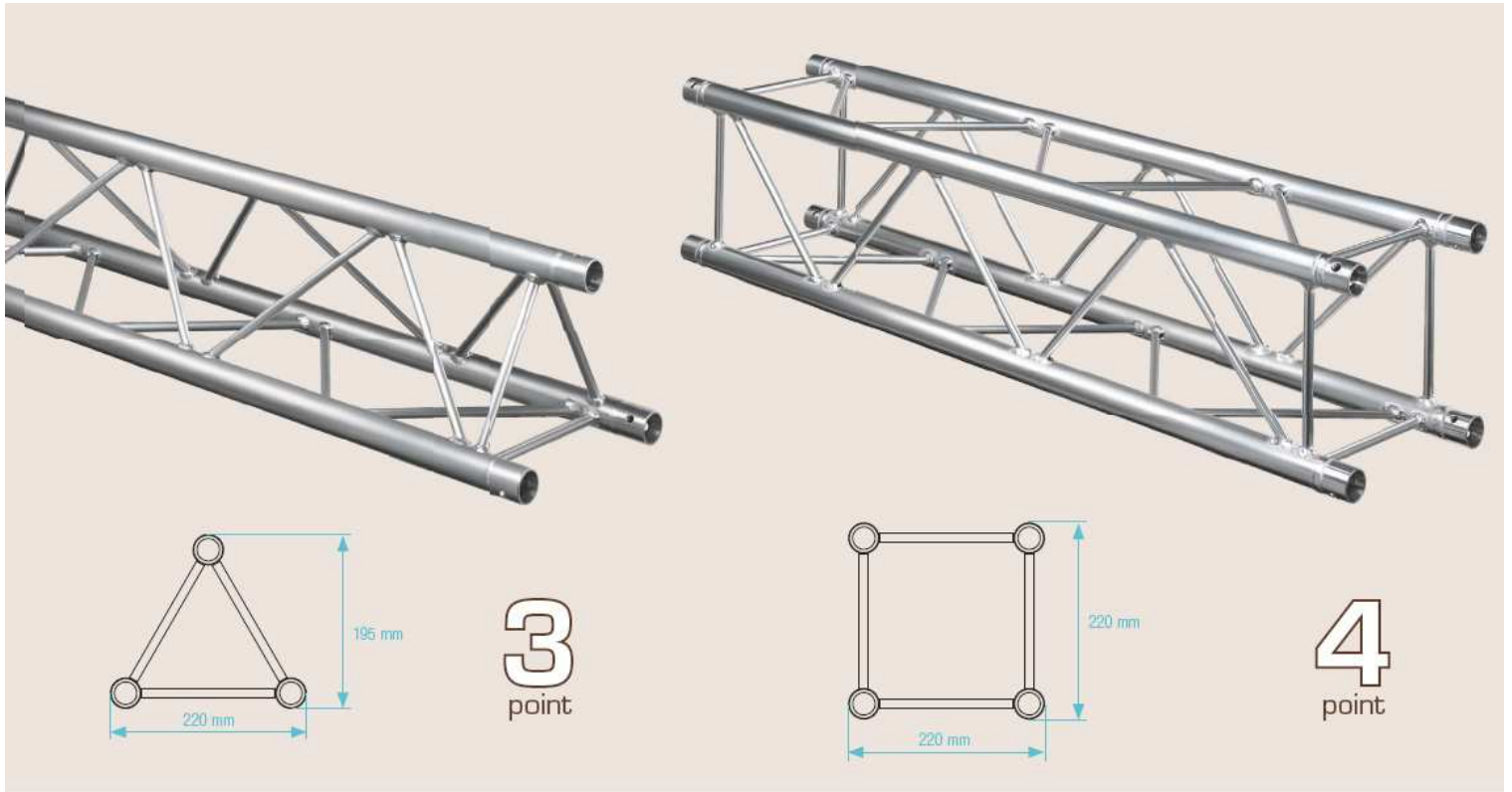
4KN-22

Span in m	1,00	2,00	3,00	4,00	5,00	6,00	7,00	8,00	9,00
point load in kg	554	367	242	179	141	115	97	82	71
deflection in mm	0,0	2,0	4,0	7,0	10,0	15,0	20,0	27,0	34,0
two point load in kg	277	275	182	135	106	87	72	62	53
deflection in mm	0,0	2,0	5,0	8,0	13,0	19,0	26,0	33,0	42,0
distrib. loading in kg/m	554	276	162	90	57	38	28	21	16
total distrib. loading in kg	554	552	486	380	285	228	196	168	144
deflection in mm	0,0	2,0	5,0	8,0	13,0	18,0	25,0	33,0	41,0

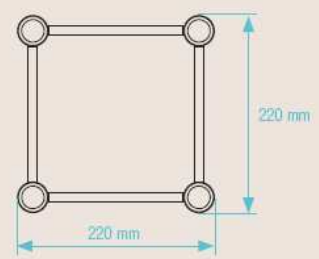
STANDARD LENGTHS AVAILABLE AND WEIGHTS

m	0,50	1,00	1,50	2,00	2,50	3,00	4,00
2KN-22 (kg)	0,85	1,70	2,55	3,40	4,25	5,10	6,80
3KN-22 (kg)	1,15	2,30	3,45	4,60	5,75	6,90	9,20
4KN-22 (kg)	1,75	3,00	4,55	6,00	7,50	9,10	12,28

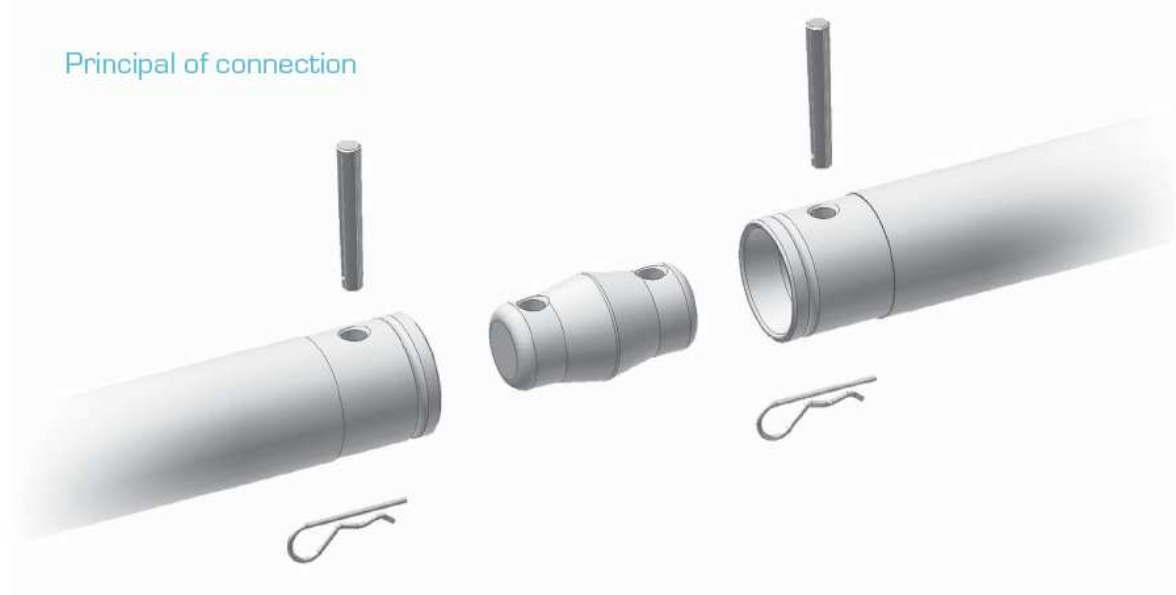
connection material (pins/ clips/cons) and packaging not included in above weights



3
point



4
point



9 m
max. span

130%
4KN-22 can carry 130%
more then 3KN-22

242 kg
CPL in 3 m
of 4KN-22